

DIGITAL THERMOSTAT

DATA SHEET
PAS3

This product is an on/off temperature alarm unit which inputs signals from a thermocouple or thermistor sensor and transmits a relay contact output when an input signal reaches the preset alarm level. This thermostat is most suited for overheat detection in machines, equipments, etc.

FEATURES

1. Highly compact

Front panel having a DIN size of 24 x 48 mm, as lightweight as 100 g and besides, depth just 85 mm, featuring a space saving design.

2. A variety of temperature sensors connectable

Because thermocouples (5 types) and thermistors (0 to 100°C) are connectable, measurement within a wide temperature range from low to high can be covered so as to match your equipment.

3. Measured and Alarm Temperatures Displayable

Alarm set value and measured temperature value can be checked promptly using the front keys.



4. Alarm point settable in 1°C steps

Temperature can be set in 1°C steps by key operation from the front.

5. Washable front structure

The front display and operating section has an IP66 waterproof structure (corresponding to NEMA-4X). This design allows washing from the panel front.

6. 2 relay contact outputs available

This thermostat is capable of issuing 2 relay contact outputs. Therefore, any output of high/low limit pair, 2 upper limits and 2 lower limits can be selected.

SPECIFICATIONS

Item	Specification
Input	Number of inputs: 1 Input signal and measurable range: Refer to Table 1. Allowable signal source resistance: Thermocouple input 100 Ω max. Measurement cycle: 2 sec. or less Burnout function: Thermocouple input; UUU display Thermistor input: LLL display (Upscale or downscale at burnout settable) Input impedance: Thermocouple input 1 MΩ or higher Input filter: 0 to 90 sec. (settable in 1 sec. steps) Primary lag filter Input value compensation: Settable within ±10% of measurable range
Indication	Indication means: LCD (without back light) Value/parameter indication: 4 digits of 7 segments each (However, at the 1st digit, only - or 1 is indicated within -999 to 999.) Contents of indication: Measured value, alarm set value 1, alarm set value 2, various parameters Each indicator of alarms 1 and 2, °C scale
Operation	Number of keys: 3 keys, sheet type keys (embossed) Alarm value setting resolution: 1°C Key lock function: (Change of setting can be inhibited.)
Accuracy	Indication accuracy: Refer to Table 1. (However, error of a temperature sensor is not included.) Reference contact compensation error: ±3°C (at 23°C)
Alarm output	Number of outputs: 1 or 2 (as specified in CODE SYMBOLS) Contact structure: 1a contact Alarm type: Refer to Table 2. Contact capacity: 220 V AC/30 V DC, 2 A (resistance load) 220 AC/30 DC, 1 A (inductive load) Mechanical life of contact: 20 million activations or more (100 activations/min.) Electrical life of contact: 100,000 activations or more (rated load) Output resetting cycle: 2 sec. or less Alarm value settable range: Settable within 0 to 100% of measurable range Hysteresis width settable range: 0 to 110% of measurable range (settable in 1°C steps) Alarm action delay time: Settable within 1 to 120 sec.

Item	Specification
Power supply	Power supply voltage: 100 V (-15%) to 240 V (+10%) AC 50/60 Hz (±10%) Power consumption: 3 VA max. (with 100 V AC), 6 VA max. (with 240 V AC)
Operating conditions	Ambient temperature: 0 to 50°C Ambient humidity: 90% RH max. (condensation unallowable)
Body structure	Mounting method: Panel flush mounting Use of optional DIN rail-mounting adapter allows the instrument to be rail mounted or wall mounted. External dimensions (H x W x D): 24 x 48 x 85 mm Weight: Approx. 100 g Casing material: Plastic (corresponding to flame resistance grade UL94V-0) Front protective structure: IP66 (corresponding to NEMA-4X) when using Fuji's genuine front waterproof packing part External terminals: Plug-in type (for bar terminals) Finish color: Ivory

Table 1 Input signal, measurable range and indication accuracy

Input signal		Measurable range	Minimum resolution	Indication accuracy
Thermocouple	J	0 to 800°C	1°C	±1%FS±1digit±3°C
	K	0 to 1200°C	1°C	±1%FS±1digit±3°C
	R	0 to 1600°C	4°C	±1%FS±1digit±4°C
	T	0 to 400°C	1°C	±1%FS±1digit±3°C
	E	0 to 600°C	1°C	±1%FS±1digit±3°C
Thermistor	PB-36	0 to 100°C	1°C	±4°C

Note 1) Correct indication is not ensured within a range from 0 to 500°C for an R type thermocouple.

Note 2) Switching between a thermistor and a thermocouple is not allowed. Thermocouple input type can be changed by front key operation.

Table 2 Alarm types

Code of PA1, 2	Alarm direction	Set value notation	With holding (Note 2)	Relay action at alarm	Action diagram (Note 1)
0	No alarm	-	-	-	
1	Upper limit	Absolute value	No	Relay excitation	
2	Lower limit	Absolute value	No	Relay excitation	
3	Upper limit	Absolute value	Yes	Relay excitation	
4	Lower limit	Absolute value	Yes	Relay excitation	
5	Upper limit	Absolute value	No	Relay non-excitation	
6	Lower limit	Absolute value	No	Relay non-excitation	
7	Upper limit	Absolute value	Yes	Relay non-excitation	
8	Lower limit	Absolute value	Yes	Relay non-excitation	

(Note 1) How to read action

area: A range in which "ALM1 or ALM2" is indicated on LCD at the front.

area: A range in which alarm relay is excited

point: Alarm set value

The horizontal axis represents measured values (PV).

(Note 2) What is the hold function?

Even if the process value is within the alarm range when turning on power, the alarm does not turn on immediately but only after it leaves and then returns to the alarm range.

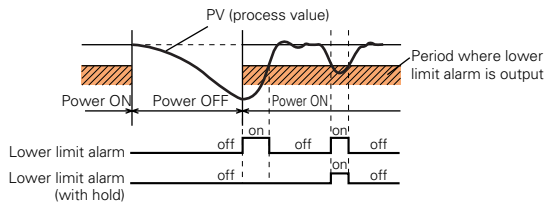
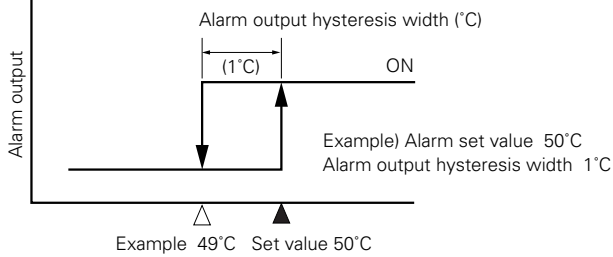


Fig. 1 Alarm output hysteresis width



CODE SYMBOLS

Input signal	Temperature sensor	Number of alarm	Code symbols
Thermocouple	Option	1	PAS3K1Y1
		2	PAS3K1A1
Thermistor	Provided	1	PAS3H1Y1
		2	PAS3H1A1

OPTIONAL DEVICE

DIN rail adapter (Model: ZZP*CTK368715P1)

SETTING at DELIVERY

Measurable range	K thermocouple input (0 to 1200°C) Thermistor input (0 to 100°C)
Alarm set value	K thermocouple input: For 1-point alarm (upper limit 1200°C) K thermocouple input: For 2-point alarm (upper limit 1200°C, lower limit alarm 0°C) Thermistor input: For 1-point alarm (upper limit 100°C) Thermistor input: For 2-point alarm (upper limit 100°C, lower limit alarm 0°C)
Alarm hysteresis width	1°C
Alarm delay time	0 sec.
Indication	Measured value
Burnout	Upscale at burnout
Input filter	5 sec.
Input value compensation	0%

Note 1) Switching between a thermistor and a thermocouple is not allowed.

Note 2) Thermocouple input type can be changed by front key operation.

SCOPE of DELIVERY

Thermostat unit, panel-mounting adapter, front waterproof packing, instruction manual

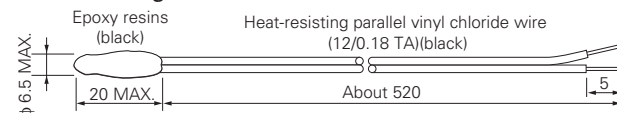
Thermistor sensor added for thermistor input

ATTACHED THERMISTOR SENSOR

• Attachment for thermistor-input thermostat

Measurable range	0 to 100°C
B constant	3390 K
Nominal resistance value	6 kΩ (0°C)
Lead wire	Heat-resisting vinyl chloride wire
Lead wire length	500 mm
Lead wire heat resisting temperature	-20 to 105°C
Color code	Black
Accuracy	Within ±2°C

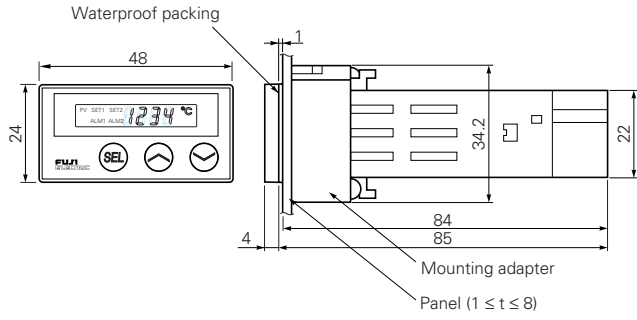
• Outline diagram (unit: mm)



CODE SYMBOLS of SPARE THERMISTOR SENSOR

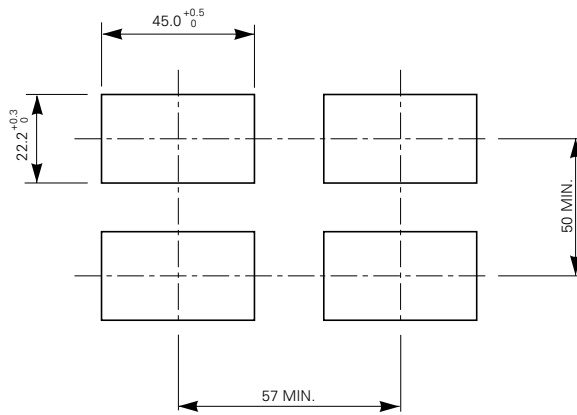
ZZP*CTK7L3941P1

OUTLINE DIAGRAM (Unit:mm)

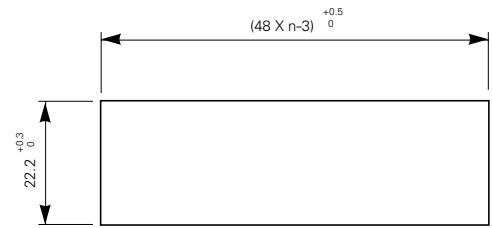


PANEL CUTOUT DIAGRAM (Unit:mm)

For mounting "n" units

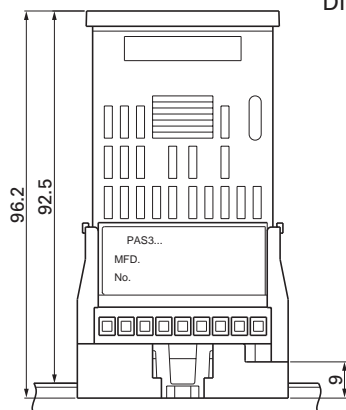
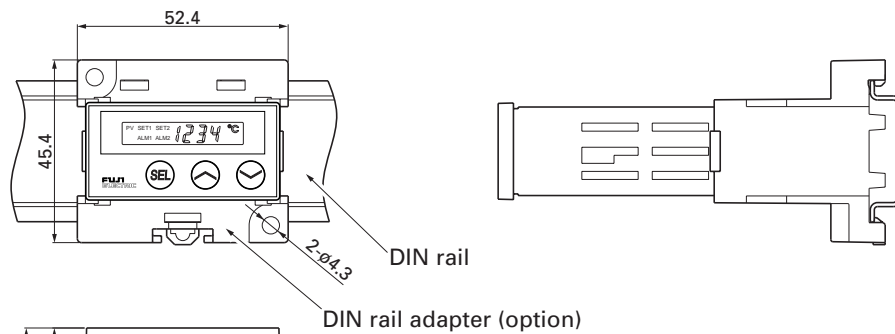


For close mounting in horizontal direction

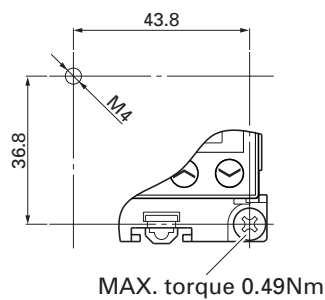


This mounting does not meet NEMA-4X/IP66 (front waterproof specification). (Because the packing cannot be used in horizontally close mounting.)

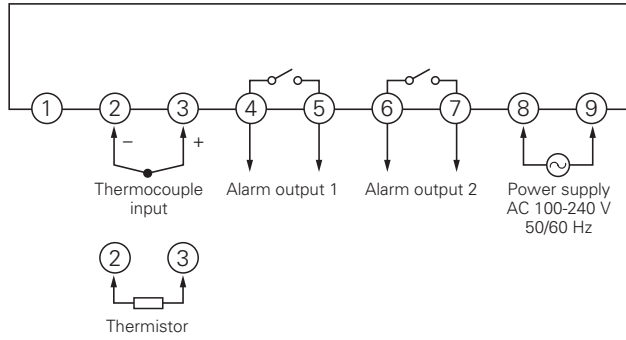
DIN RAIL ADAPTER



For wall mounting



CONNECTION DIAGRAM

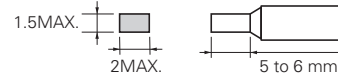


USABLE WIRING MATERIALS

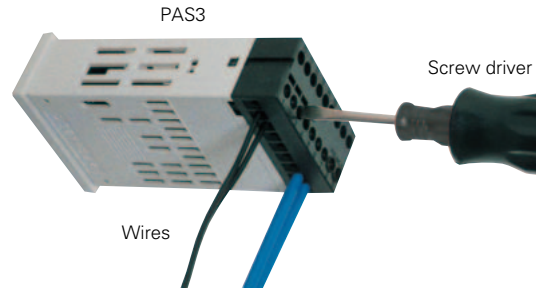
- Wire
Gauge: AWG28 (0.1 mm²) ... AWG16 (1.25 mm²)
Strip-off length: 5 to 6 mm



- Bar terminal
Dimension of strip-off conductor section: 2 x 1.5 mm or smaller
Length of strip-off conductor section: 5 to 6 mm



CONNECTION METHOD



⚠ Caution on Safety

*Before using this product, be sure to read its instruction manual in advance.

Fuji Electric Co., Ltd.

Global Sales Section
Instrumentation & Sensors Planning Dept.
1, Fuji-machi, Hino-city, Tokyo 191-8502, Japan
<http://www.fujielectric.com>
Phone: +81-42-514-8930 Fax: +81-42-583-8275
<http://www.fujielectric.com/products/instruments/>